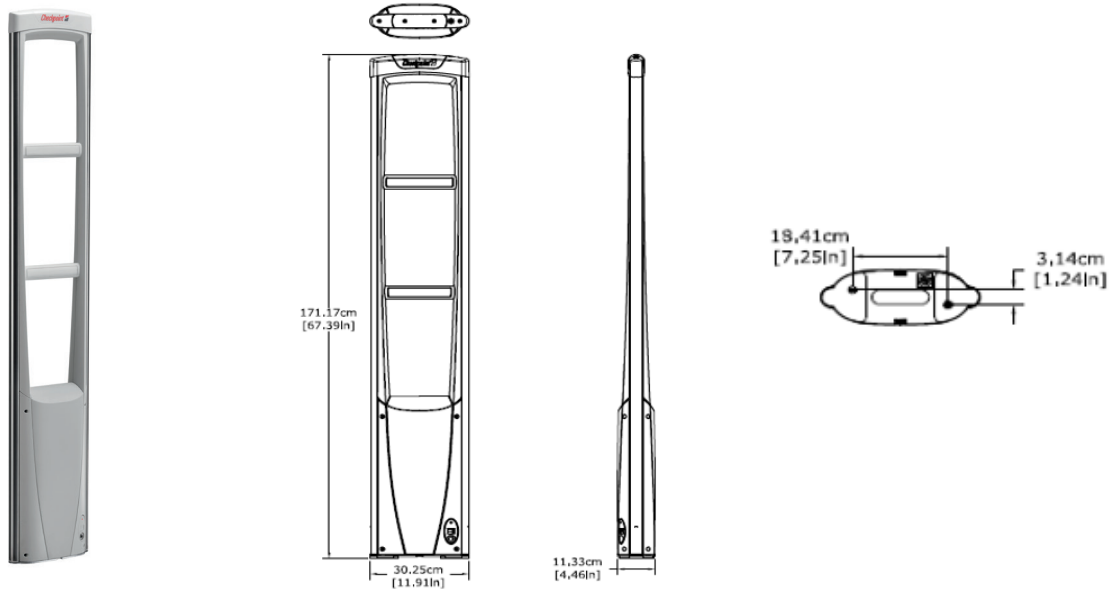


Specification Sheet

EVOLVE P20



Product Description:	EVOLVE P20
Part No (PSB):	10045892
Part No (SSB):	10081858
Dimensions Total Antenna (HxWxD):	1.71m x 0.30m x 0.11m (67.32" x 11.91" x 4.46")
Dimensions Base Cover (HxWxD):	0.538m x 0.30m x 0.061m (21.18" x 11.81" x 2.4")
Approx Weight	10kg (22.4lbs)
Mains Power Requirements:	100-240 vac; 1.5A @50-60Hz
Power Consumption (typ. per controller):	Typical: 10W @ 120V, 15W @240V
Power Consumption (max):	Max: 50W @ 120V and 240V
Operating Temperature:	0° to 40° C (32° to 104° F)
Frequency Technology:	Radio Frequency (RF)
Frequency Ranges:	7.6 to 8.7 MHz EU (7.4 to 9.0 MHz NA)
Antenna Safety:	CB; UL/cUL
Emissions Safety:	FCC/IC; CE
Materials used:	ABS / Brushed Stainless Steel
Color:	RAL 9002
Maximum distance between 2 frames*	1.8m (6')
Detection Area on each side of single frame	0.9m (3')

* Reference Data - Checkpoint EP 410 label (depending on environment)

All rights reserved © Checkpoint Systems Inc. Thorofare, USA 2020
All information and illustrations are intellectual property of Checkpoint Systems, Inc.
Any copying, reprinting, manipulating or publishing in part or in whole is strictly prohibited.